



Promessa™ Series Single Wall Baskets

Revised: 8/24/17

Installation Procedures (Gypsum Wallboard/Drywall Surfaces)

**Model G100-002**  
Shampoo Basket

G100-002-PC



G100-002-BN

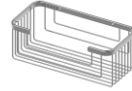


G100-002-ORB

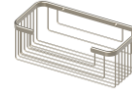


**Model G100-060**  
Extra Deep Shampoo Basket

G100-060-PC



G100-060-BN



G100-060-ORB



**Model G100-030**  
Combination Basket

G100-030-PC



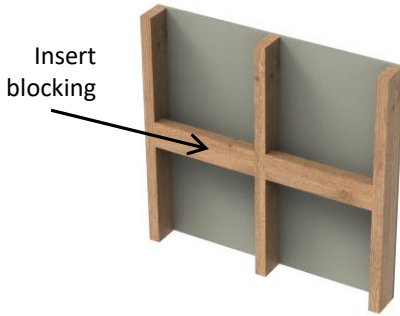
G100-030-BN



G100-030-ORB



### STEP 1 Insert Blocking

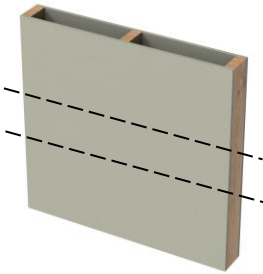


• Insert no less than 2" x 4" wood blocking or locate in vertical stud.

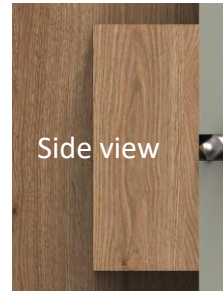
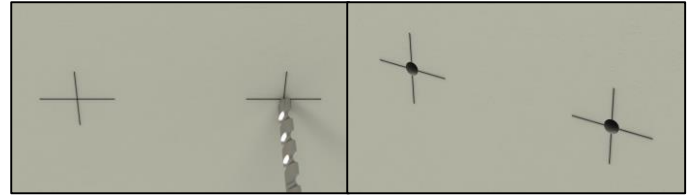
Warning: FASTENER SYSTEM ONLY WORKS WITH WOOD BLOCKING

(DO NOT USE WALL ANCHORS WITH THIS SYSTEM)

### STEP 2 Locate Wood Blocking



### STEP 4 Drill 3/8" Holes

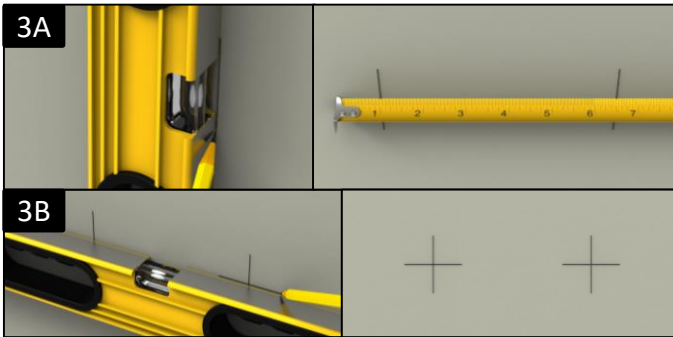


Side view

Warning: Do not drill deeper than the thickness of gypsum wallboard (drywall) material.

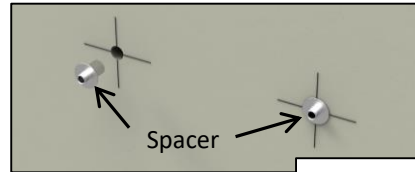
• Drill a 3/8" hole (right and left sides) in gypsum wallboard (drywall) to accommodate spacer in step 5. Place some tape on the drill to mark drill depth. (Example: If wallboard material is 1/2" thickness, only drill that depth. Do not drill into wood blocking). See 'Side view' diagram above.

### STEP 3 Create Level Lines



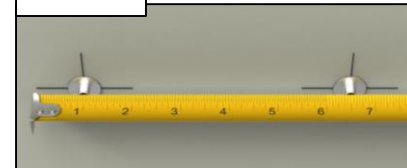
• As illustrated in 3A - Use a level to determine position of right spacer and mark a vertical line. Measure precisely 5 1/2" from this line to locate the position of left spacer.  
• As illustrated in 3B - Repeat the process above horizontally.

### STEP 5 Insert Spacers



• Insert both left and right spacers into drilled holes. Press in firmly so that flange mounts flush with gypsum wallboard (drywall) material.

• After inserting spacers, use a tape measure (as illustrated) to ensure center to center is 5 1/2" as described in 3A.

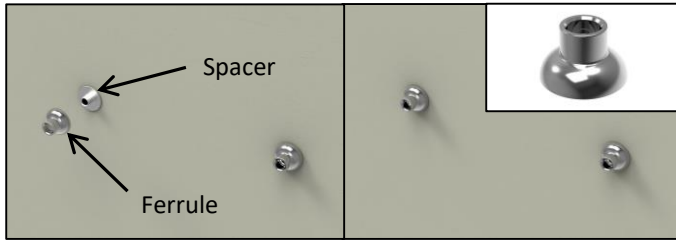


#### Technical Fact:

Spacer prevents gypsum wallboard (drywall) from collapsing at drilled hole. Additionally, protects from over-tightening screw which can draw the accessory into the gypsum wallboard (drywall) material.

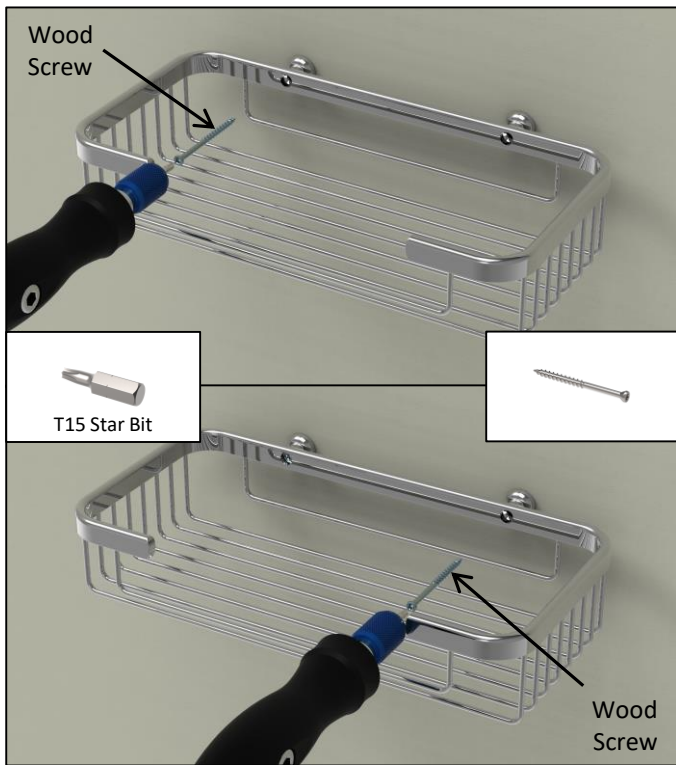


### STEP 6 Install Ferrules



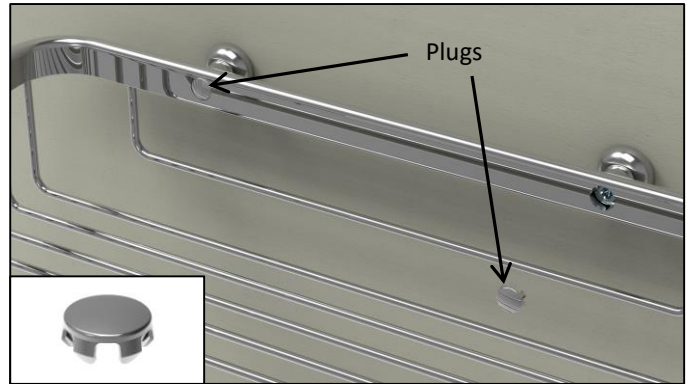
• Simply slip ferrules over spacers.

### STEP 7 Mount Basket With Screws



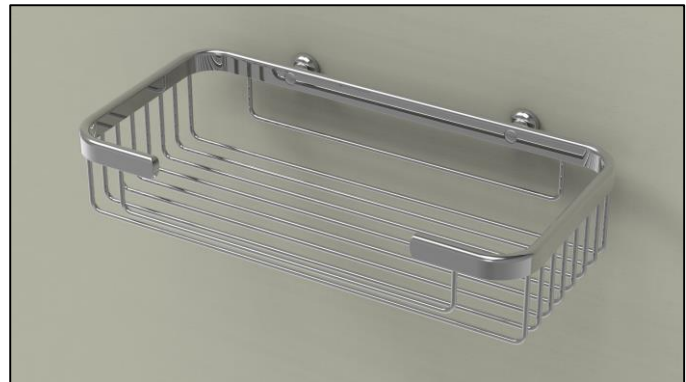
• Mount basket with stainless steel wood screws, both left and right sides, with provided star drive bit in kit (or any T15 star drive bit) using a multi-bit screwdriver or power drill.

### STEP 8 Install Decorative Plugs



• Install decorative plugs. Easier if all prongs enter hole then press firmly.

### STEP 9 Installation Complete



**Thank you for using our products!**

**TileWare Products**

PO Box 793, Hickory, NC 28603

Technical Support: 828-322-9273

Email: [info@tilewareproducts.com](mailto:info@tilewareproducts.com)

[www.tilewareproducts.com](http://www.tilewareproducts.com)

## Shampoo, Extra Deep Shampoo & Combination Basket Parts List

| Shampoo Basket<br>Quantity 1 per kit | Extra Deep Shampoo Basket<br>Quantity 1 per kit | Combination Basket<br>Quantity 1 per kit | Spacer<br>quantity 2 per kit | Standard Ferrule<br>quantity 2 per kit | Decorative Plug<br>quantity 2 per kit | Wood Screw<br>quantity 2 per kit | Star Drive Bit-T15<br>quantity 1 per kit |
|--------------------------------------|---|--|------------------------------|--|---------------------------------------|----------------------------------|--|
| 255285                               | 239251  | 255976                                   | C200-044                     | 255245                                 | 243168                                | C200-048                         | C200-049                                 |
|                                      |   |  |                              |  |                                       |                                  |  |